

Refilling Instructions

for CANON BJI201BK HIGH CAPACITY BLACK CARTRIDGE

(See reverse side for refilling BJI201BK Regular Capacity Cartridges)

1. Cover work surface with about 10 sheets of newspaper to protect against spills.
2. Remove empty ink cartridge from printer.

● FIRST TIME YOU REFILL CARTRIDGE:

3. Locate the top surface of cartridge (the one with the arrow printed on label). Carefully peel back the top label to expose the plastic surface under the label. Place the cartridge on work surface and hold as shown in Fig. 1.

IMPORTANT!! Locate the circle in the top plastic surface and using the drill provided, drill a vent hole through the center of the circle. Remove the drill by continuing to twist in a clockwise direction and pulling upward. This will help in keeping plastic debris from falling into the cartridge. Brush away debris from top surface.

4. Remove the cap from the ink dispenser bottle.

5. Turn the cartridge so that the foam sponge portion is at the top and the liquid chamber is at the bottom (See Fig. 2).

6. Touch the dispenser tip to the ink port of the cartridge so that it lightly presses against the foam sponge (See Fig. 2). Do not push sponge in or it will not make proper contact with the printhead after filling.

7. Very slowly squeeze the dispenser bottle so that the ink flows through the foam sponge chamber and into the liquid chamber.

Continue dispensing ink until the liquid chamber is filled to just below the vent hole that you drilled in the top surface (See Fig. 3).

8. Withdraw the dispenser bottle and place it on flat surface.

9. Still holding the cartridge in the same position and using the absorbent pad provided, wipe the top surface to remove any ink that may have accidentally spilled from the previously drilled vent hole. Make sure the surface around the vent hole is thoroughly dry.

10. Seal the vent hole using one of the pressure sensitive adhesive seals provided. Press this seal very firmly in place. Replace the top label over the seal.

IMPORTANT! It is essential that the vent seal be air tight.* Test for a good seal by turning the cartridge so that the ink port faces down. Several drops of ink should drip from the ink port. Turn the ink port upward and then downward several more times. A maximum of 5 or 6 drops of ink should drip from ink port. (See Fig. 4) If ink continues to drip it indicates that the vent hole is not sealed properly. A new adhesive seal must be applied after making sure seal area surface is thoroughly dry.

11. Your refilled cartridge is now ready for use, If any ink remains in the dispenser bottle, recap it for future use.

* The manufacturer's warranty on this product will be void if leakage occurs due to improper sealing of the vent hole.

● SUBSEQUENT REFILL PROCEDURE:

1. Peel back the label and seal from the vent hole.
2. Proceed with steps 4 through 11 above.

In the unlikely event the ink gets on your fingers, it can easily be removed by moistening a paper towel with a solution of laundry bleach diluted with an equal amount of water. Be sure to wash hands thoroughly after using bleach solution.

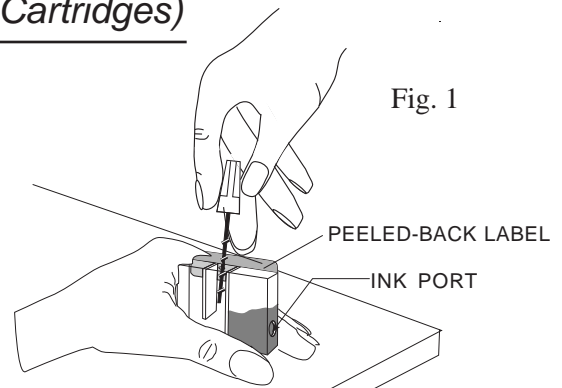


Fig. 1

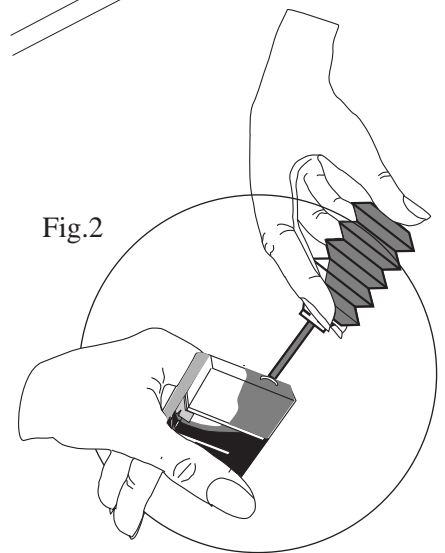


Fig.2

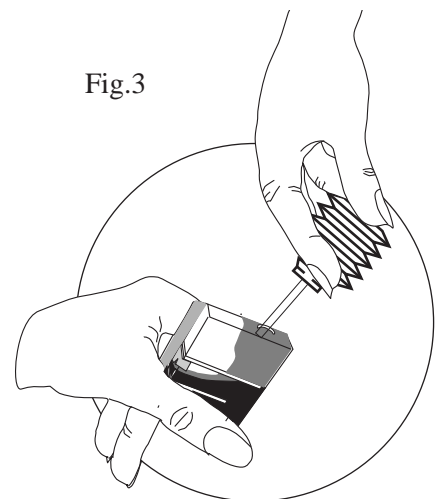


Fig.3

IF YOU HAVE ANY QUESTIONS OR ENCOUNTER ANY DIFFICULTY IN USING THIS PRODUCT, PLEASE CONTACT:

Repeat-O-Type Manufacturing Corporation • Wayne, New Jersey 07470-6892 USA

973/696-3330 • 800/288-3330 • Fax 973/694-7287

Refilling Instructions

for CANON BJI201BK HIGH CAPACITY BLACK CARTRIDGE

(See reverse side for refilling BJI201BK Regular Capacity Cartridges)

1. Cover work surface with about 10 sheets of newspaper to protect against spills.
2. Remove empty ink cartridge from printer.

● FIRST TIME YOU REFILL CARTRIDGE:

3. Hold cartridge on work surface with ink port facing up. (shown in Fig. 1.)
4. Locate center of smaller liquid chamber (see illustration in fig. 1) and using drill provided, drill a vent hole in that spot. Remove drill by continuing to twist in a clockwise direction and pulling upward. This will help in keeping plastic debris from falling into the cartridge. Brush debris away from top surface.
5. Remove cap from ink dispenser bottle.
6. Touch the dispenser tip to the ink port of the cartridge so that it lightly presses against the foam sponge (See Fig. 2). Do not push sponge in or it will not make proper contact with the printhead after filling.
7. Very slowly squeeze the dispenser bottle so that the ink flows through the foam sponge chamber and into the liquid chamber. Continue dispensing ink until the liquid chambers are filled to just below the vent hole that you drilled in the top surface (See Fig. 3).
8. Withdraw the dispenser bottle and place it on flat surface.
9. Still holding the cartridge in the same position and using the absorbent pad provided, wipe the top surface to remove any ink that may have accidentally spilled from the previously drilled vent hole. Make sure the surface around the vent hole is thoroughly dry.
10. Seal the vent hole using one of the pressure sensitive adhesive seals provided. Press this seal very firmly in place.

IMPORTANT! It is essential that the vent seal be air tight.* Test for a good seal by turning the cartridge so that the ink port faces down. Several drops of ink should drip from the ink port. Turn the ink port upward and then downward several more times. A maximum of 5 or 6 drops of ink should drip from ink port. (See Fig. 4) If ink continues to drip it indicates that the vent hole is not sealed properly. A new adhesive seal must be applied after making sure seal area surface is thoroughly dry.

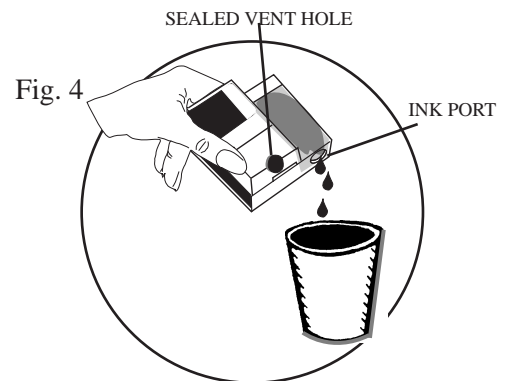
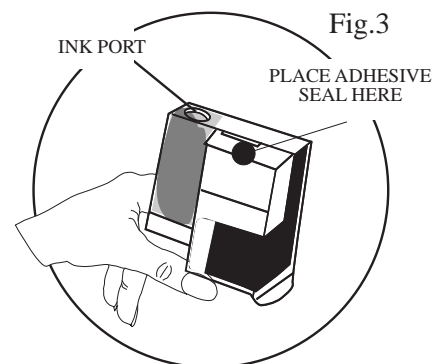
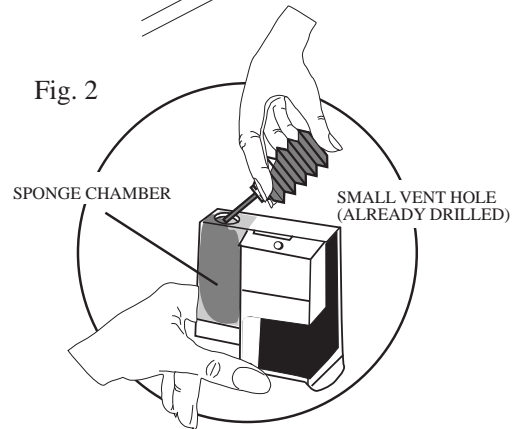
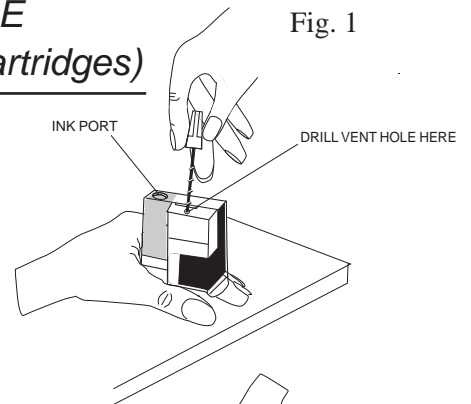
*DO NOT PUT INTO MACHINE IF CARTRIDGE IS STILL LEAKING!

11. Your refilled cartridge is now ready for use, If any ink remains in the dispenser bottle, recap it for future use.

* The manufacturer's warranty on this product will be void if leakage occurs due to improper sealing of the vent hole.

● SUBSEQUENT REFILL PROCEDURE:

1. Peel back the seal from the vent hole.
2. Proceed with steps 5 through 11 above.



In the unlikely event the ink gets on your fingers, it can easily be removed by moistening a paper towel with a solution of laundry bleach diluted with an equal amount of water. Be sure to wash hands thoroughly after using bleach solution.

IF YOU HAVE ANY QUESTIONS OR ENCOUNTER ANY DIFFICULTY IN USING THIS PRODUCT, PLEASE CONTACT:

Repeat-O-Type Manufacturing Corporation • Wayne, New Jersey 07470-6892 USA

973/696-3330 • 800/288-3330 • Fax 973/694-7287